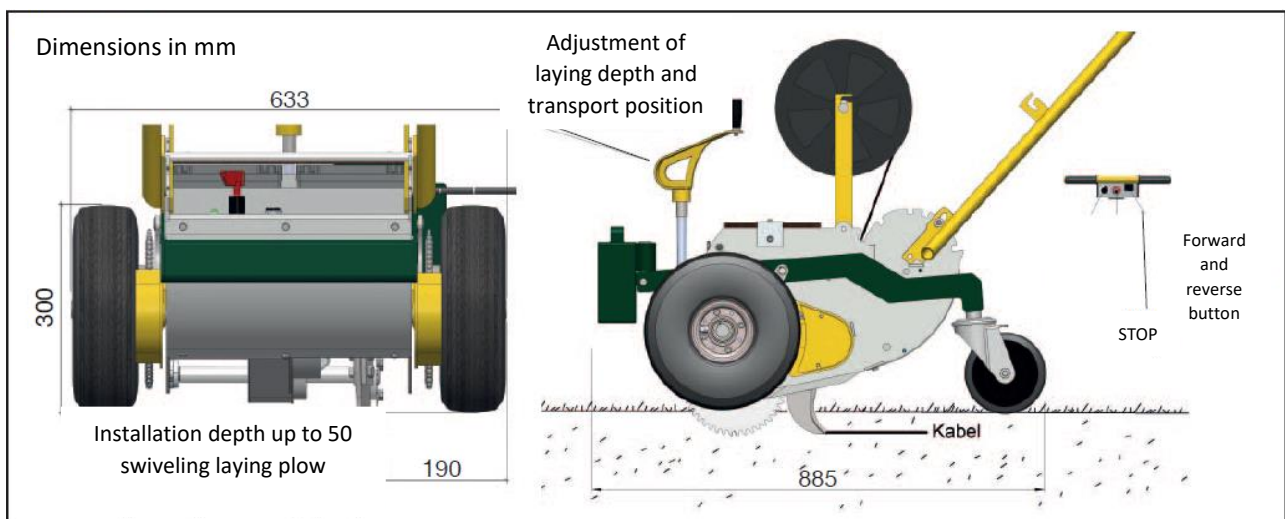


## **Robotic lawnmower cable quickly installed with the proven Pro J1 cable laying system**

- **Quiet**
- **Clean**
- **Energy saving**
- **Environmentally friendly**
- **Robust**
- **Efficient**
- **Easy to use**
- **Almost everywhere**

# BOSSMOW



Swiveling laying plow with cutting wheel



500 m cable drum for plastic and rubber cables up to  $\varnothing$  6,5 mm



Höhenverstellung



Stepless speed control forwards and backwards



Adjustable distance meter

# BOSSMOW



The Pro J1 also drives effortlessly over steps

Operator handle is multi-adjustable for different installation situations



<b>2 lead-gel batteries:</b>	24 V / 25 Ah: maintenance-free, cycle-proof, leak-proof with charge status display
<b>Charger:</b>	2 Ah / 24V Automatic shutdown, fully electronic. Overcharging of the batteries not possible
<b>Battery time:</b>	Up to 1400 meters of cable laying with one battery charge. All-day work possible!
<b>Charging time</b>	Max. 10 Hours
<b>Motor:</b>	24 V / 750 Watt
<b>Controls:</b>	Soft start via rocker switch forward u. backward Desired speed infinitely adjustable via potentiometer Max. Approx. 58 m / min. = about 3.5 km / h
<b>Own weight</b>	92 kg (without additional weight)
<b>Additional weight:</b>	20 kg, removable
<b>Tires:</b>	4.00-4 4PR Blockprofile
<b>Cable laying depth:</b>	Up to max. 50 mm, adjustable
<b>Safety</b>	Emergency stop button
<b>Dimensions:</b>	LxWxH 1250x630x950mm (Handle height, adjustable in both directions)
<b>Dimensions of transport:</b>	LxWxH 840x630x810mm (folded handle)
<b>Delivery:</b>	Basic unit incl. Battery, charger, operating manual and. Additional weight 20 kg:

## History of the cable laying machine for robotic lawnmower Pro J1

With this letter we would like to remind you of the advantages of the Pro J1. Since many of the "laying machines" offered on the market did not live up to our expectations and requirements when laying cables for robotic lawnmowers, we decided to develop our own machine.

Based on our experience, we created a requirement profile for the design department as follows:

- Pull-free laying of the cable, steplessly adjustable up to 5 cm depth
- Infinitely variable laying speed with the highest possible final speed
- Soft start during forward and reverse travel in working mode and for loading and unloading.
- Easy laying even on stony ground
- Installation in the tightest radius possible
- Low volume when working to be able to use the full daylight during the season and also on Sundays and public holidays to allow laying work without noise pollution
- All-day working with one battery charge per day
- Easy and quick change of cutting tools
- Fast and easy forward and reverse transport loading
- Saddling of a large cable drum possible
- Installation of all cables of most different robotic lawnmower manufacturers up to 6.5 mm Ø

Rubber cable for large-area robots (up to 20,000 m<sup>2</sup>)

- Robust design, long service life
- Driving on stairs and steep paths

We maintain close cooperation with our partners. Thus, it was obvious to construct a machine with battery drive due to the required profile. A gasoline-powered device was immediately eliminated because of the high noise pollution. After many trials and technical discussions between installation personnel and other dealers, after eight months of development, the first series-produced Pro J1 cable laying machine was successfully tested.

# BOSSMOW

## Advantages of the variable weight of our Pro J1

(92kg dead weight + 20kg additional weight)

To lay a cable loosely and stress-free in the ground, a good installation machine needs a delayed start, a continuously adjustable working speed and a variable dead weight.

### A higher weight brings the following advantages:

- You can easily lay the cable in almost all floors
- Extremely stable and robust frame construction means a long service life
- Directional stability for fatigue-free working
- Quiet and vibration-free running
- Very high laying speed



Note: Ramps are available as accessories for easy loading and unloading of the machine, which also has a reverse gear!



Handles are adjustable in every way



## **SPECIAL FEATURES and BENEFITS of the Pro J1:**

### **Unique drive with battery:**

- No noise emission
- Vibration-free!
- Infinitely variable drive speed
- Laying up to 1400 meters of cable
- Environmentally friendly
- Easy to use
- Fits perfectly into the imagination of the discerning customer

### **Advantages of high dead weight and additional weight (standard):**

- Extremely quiet working in the ground
- Stable in direction
- Directional stability for fatigue-free working

### **Economical advantages:**

- Highest installation speed of up to 58 m / min = 3.5 km / h (more than twice as fast as many other machines)
- Extremely robust and reliable, long service life
- Low-wear tool
- Easy and quick change of cutting blade and laying plow
- Clean installation
- Perfect laying result even on stony soils, e.g. at the transition to
- Access roads (banquet)
- High installation quality and speed
- Low maintenance
- Self-pivoting laying plow for tight radii and laying in corners -
- Largely without manual reworking